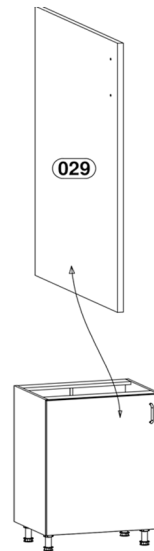
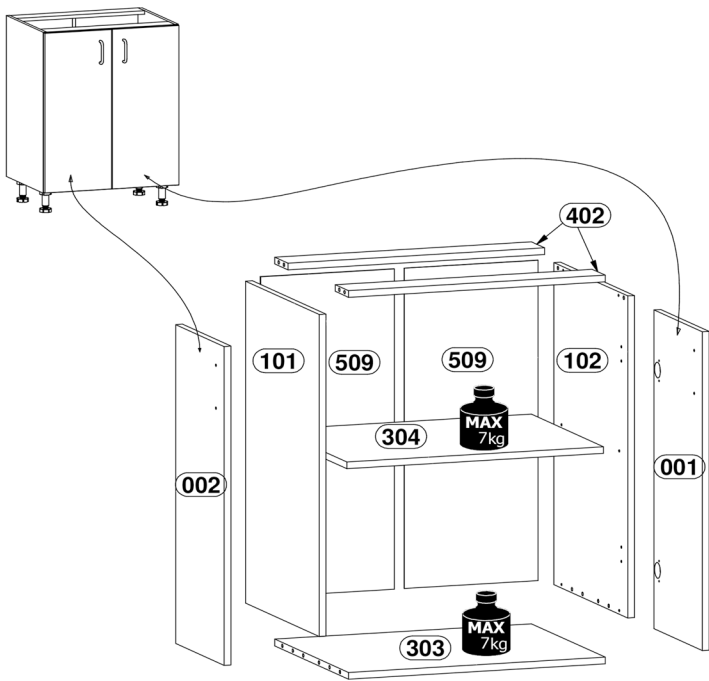
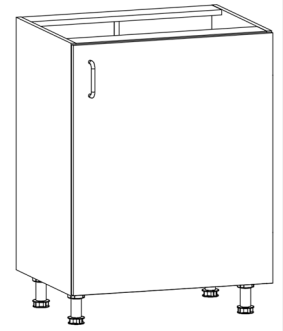
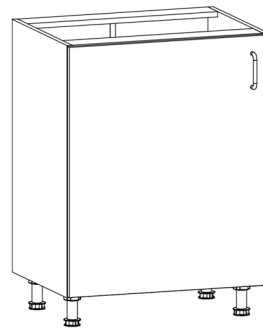
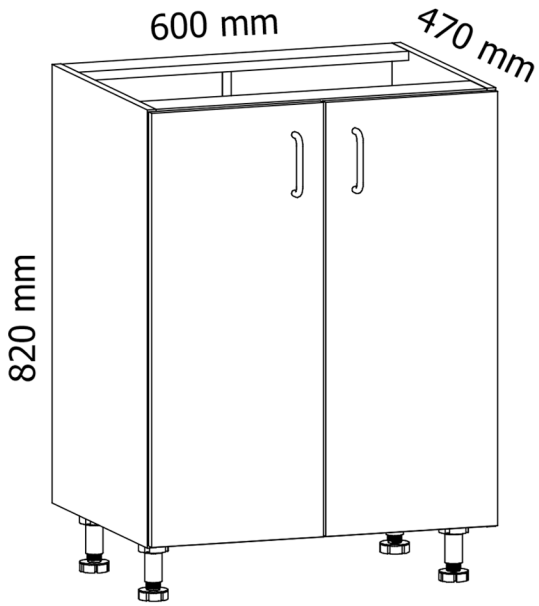
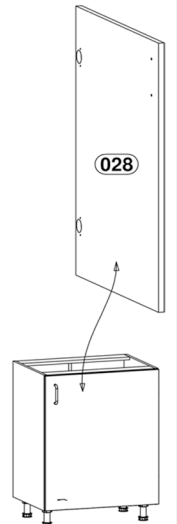


# D60


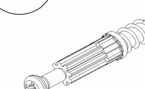



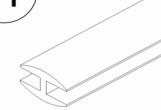
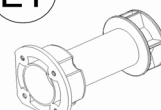



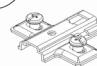
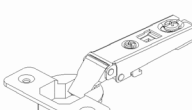
# D60-L / D60-P



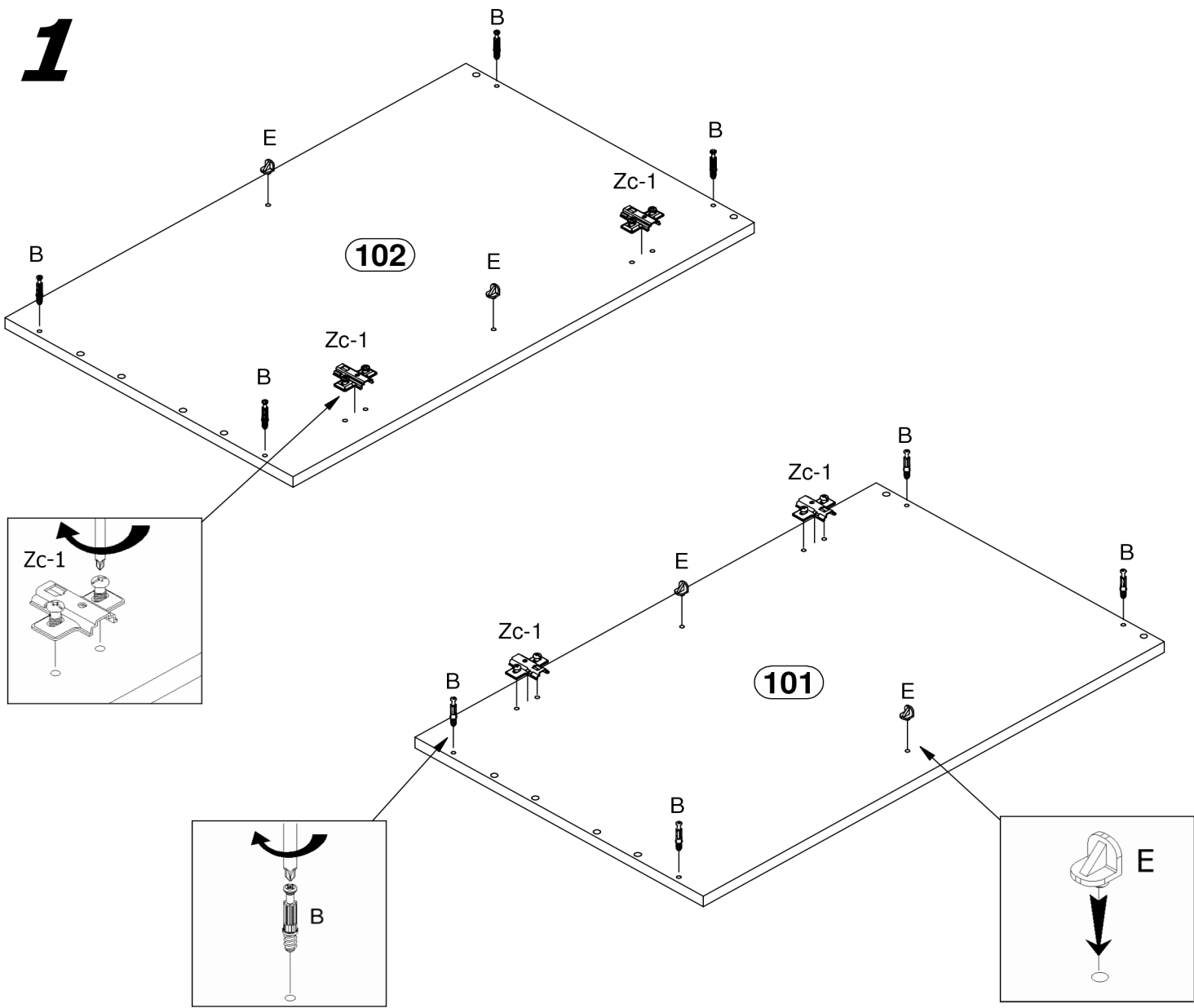
**D60-L**



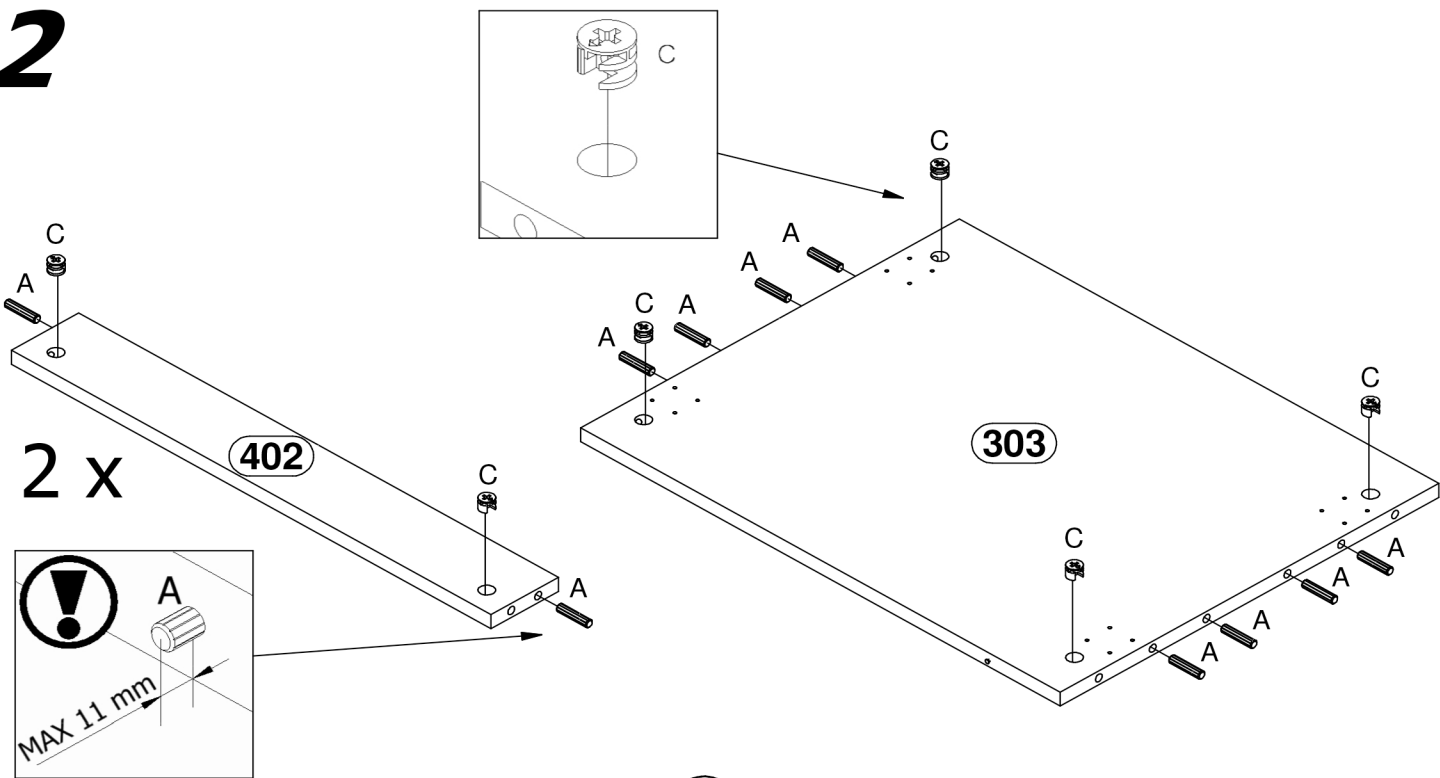
**D60-P**

|   |  |  |  |
|---|--|--|--|
| <p><b>A</b> x12</p>  <p>Ø8x35mm</p>    | <p><b>B</b> x8</p>                | <p><b>C</b> x8</p>  <p>Ø15x12mm</p>   | <p><b>E</b> x4</p>  |
| <p><b>G</b> x27</p>                    | <p><b>H</b> x1</p>  <p>715 mm</p> | <p><b>L1</b> x4</p>   | <p><b>M</b> x2</p>  |
| <p><b>W2</b> x24</p>  <p>Ø3,5x16mm</p> | <p><b>Y</b> x8</p>  <p>Ø18 mm</p> | <p><b>Zc</b> x4</p>  <p>Zc-1</p>  <p>Zc-2</p> |  |

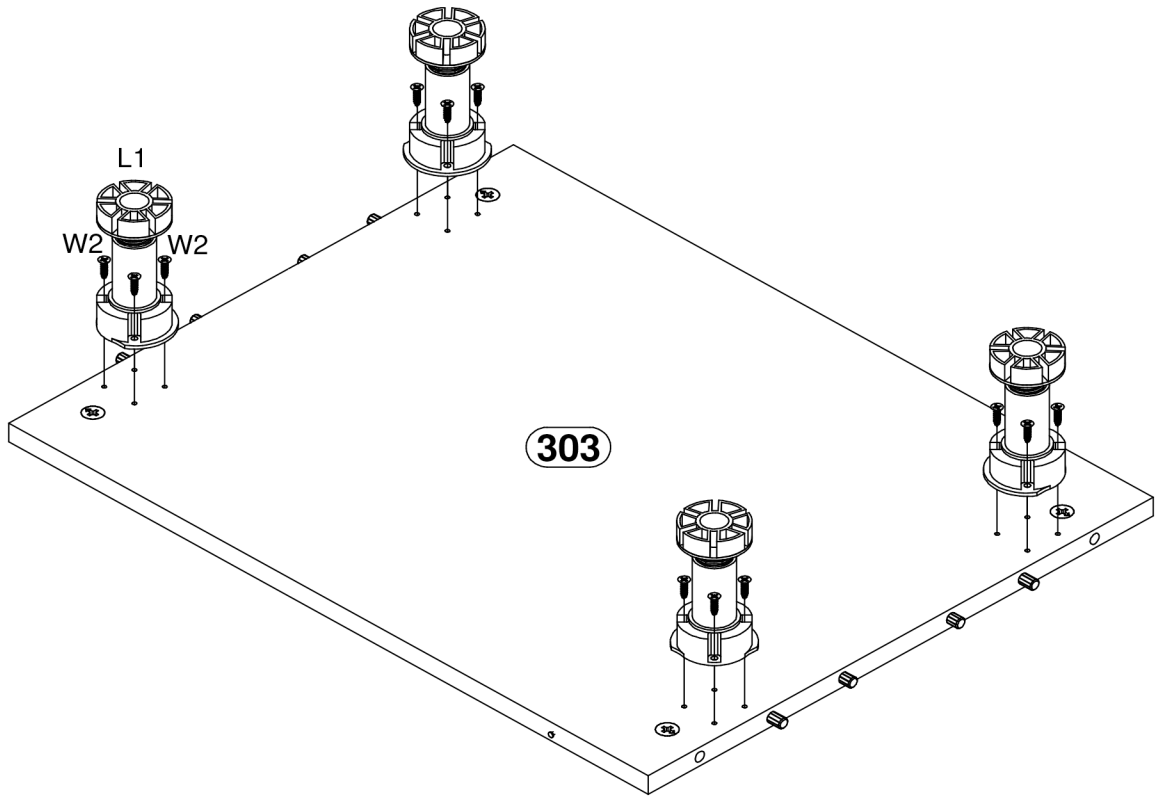
# 1



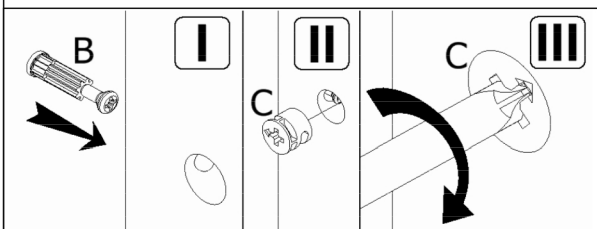
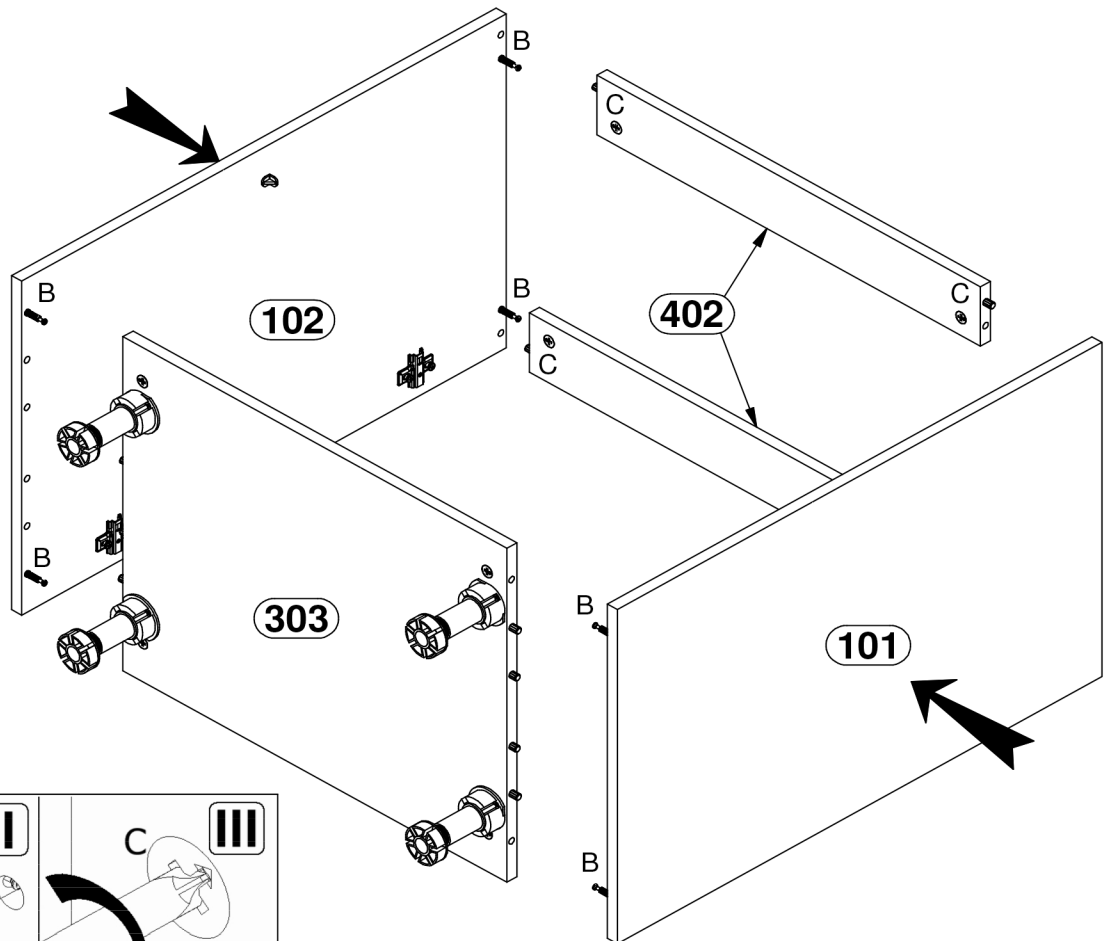
# 2



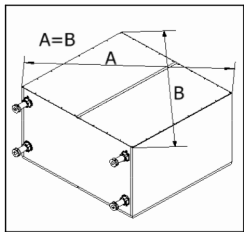
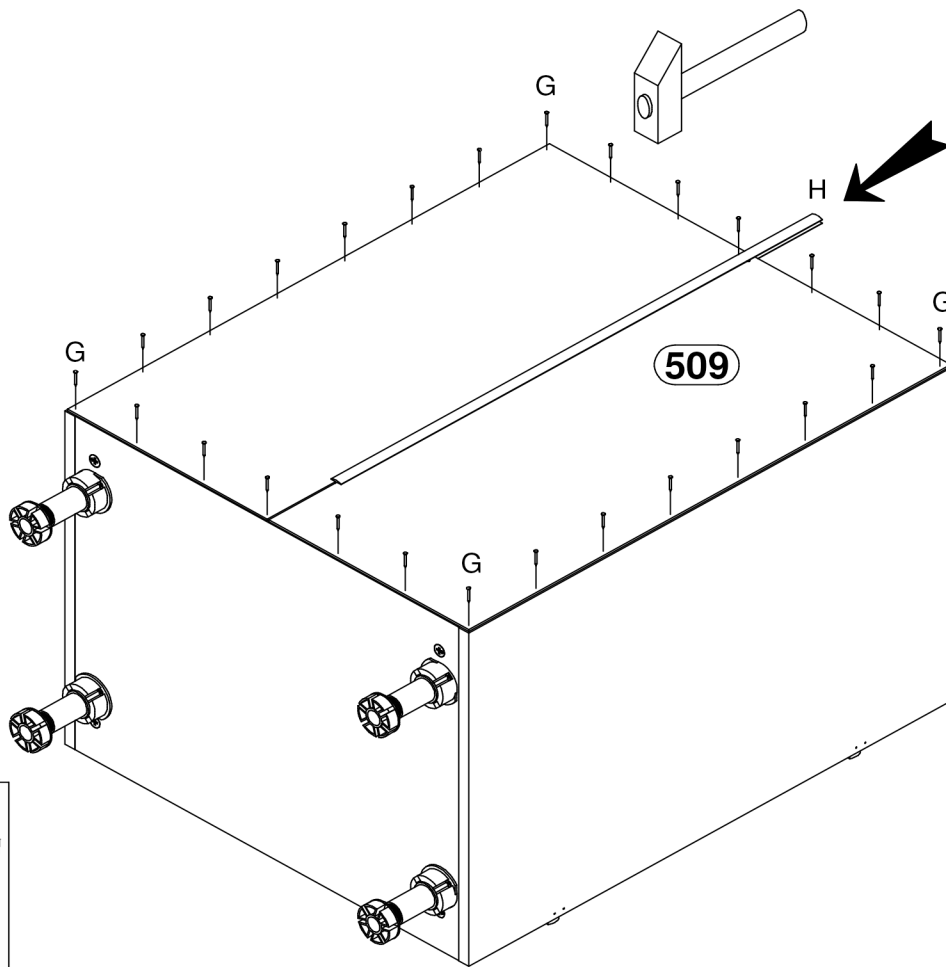
# 3



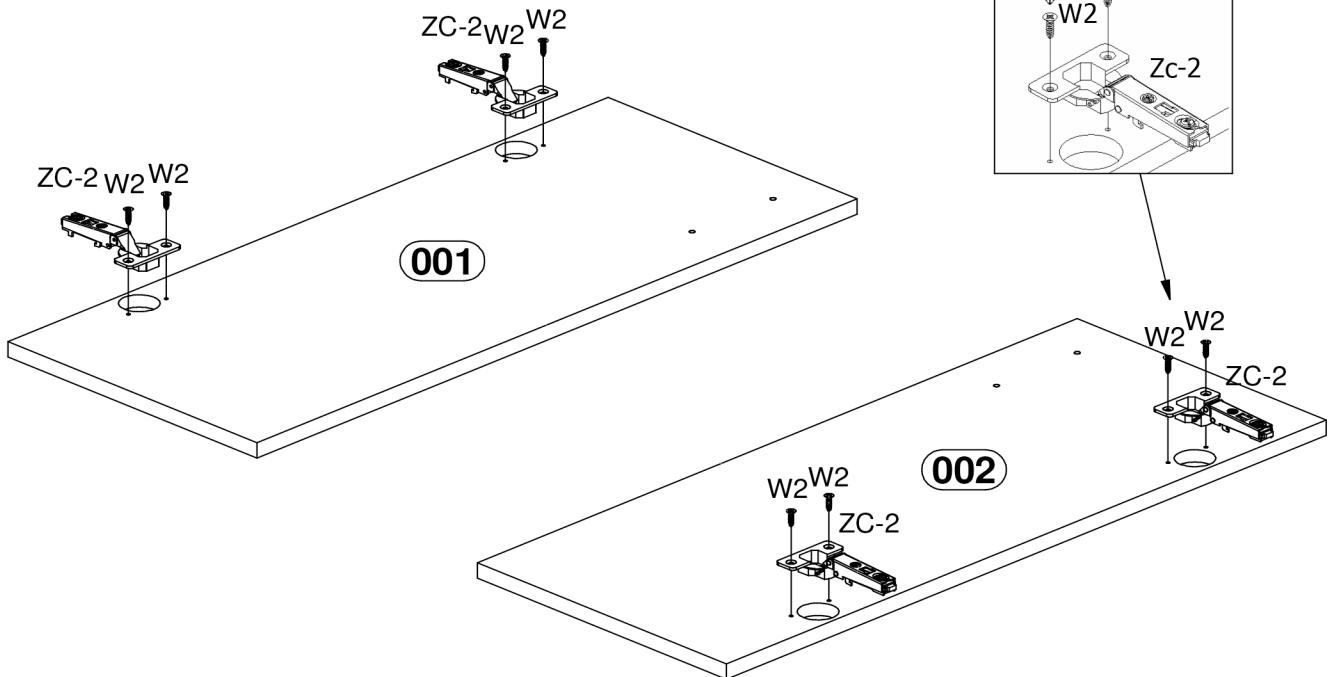
# 4



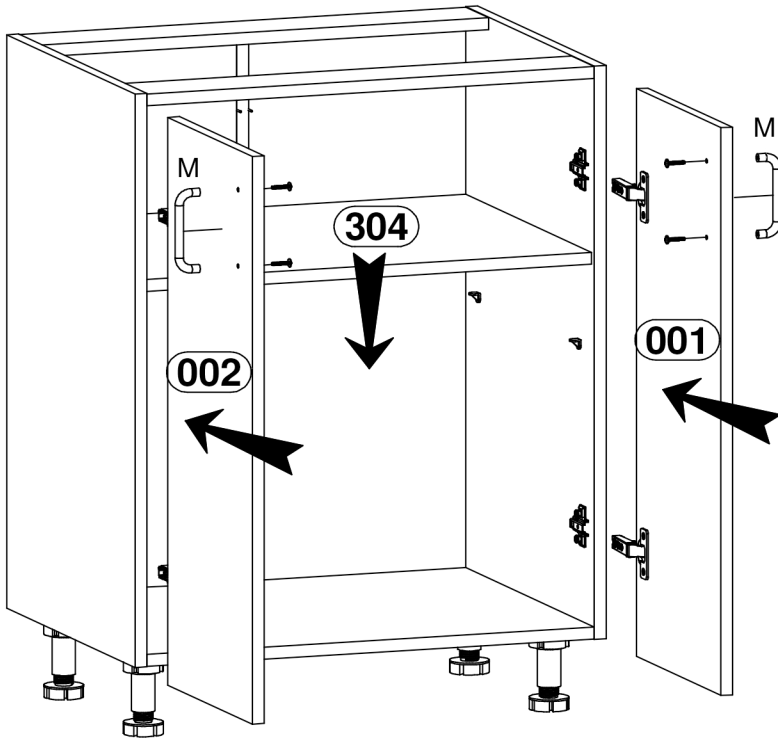
# 5



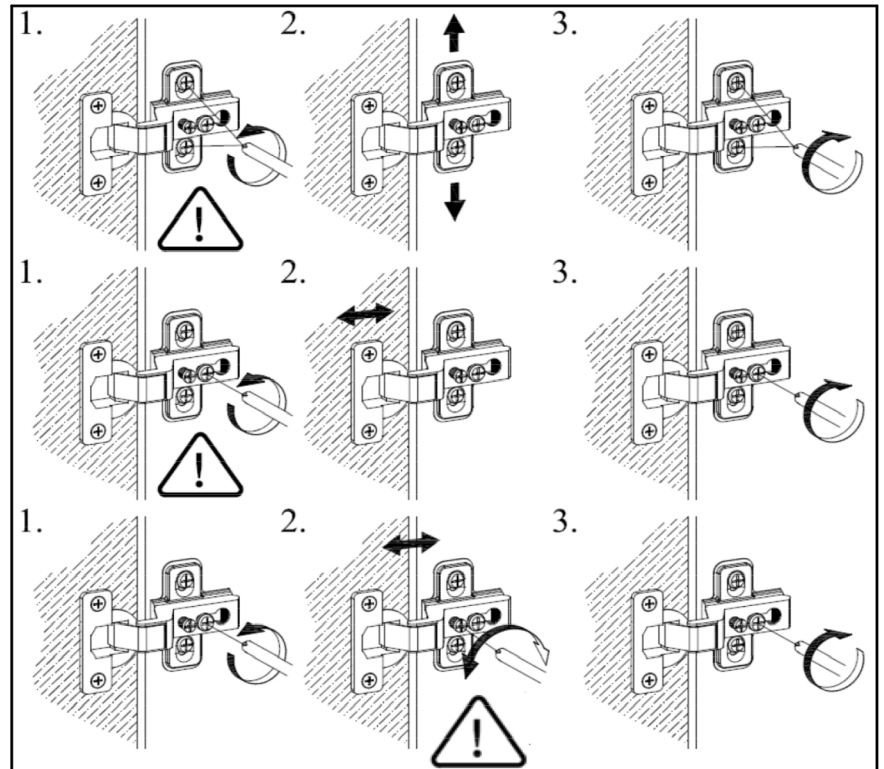
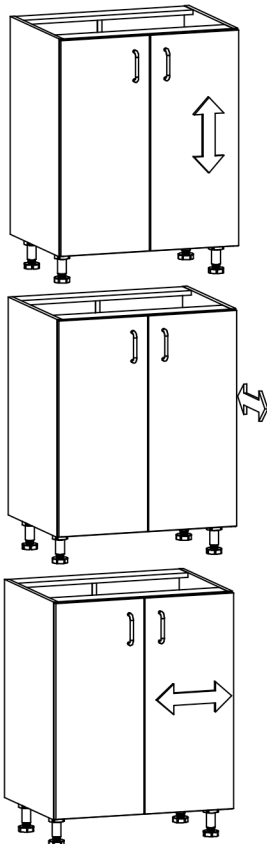
# 6

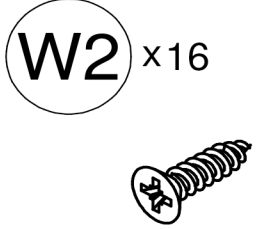
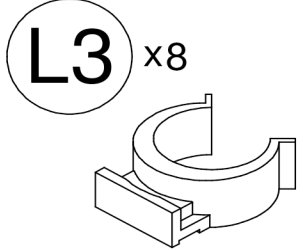
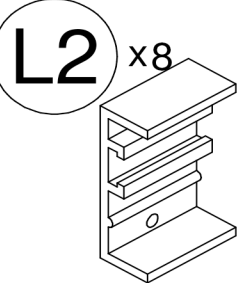
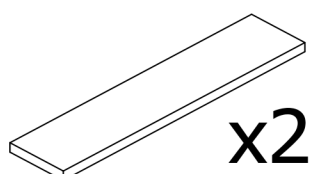
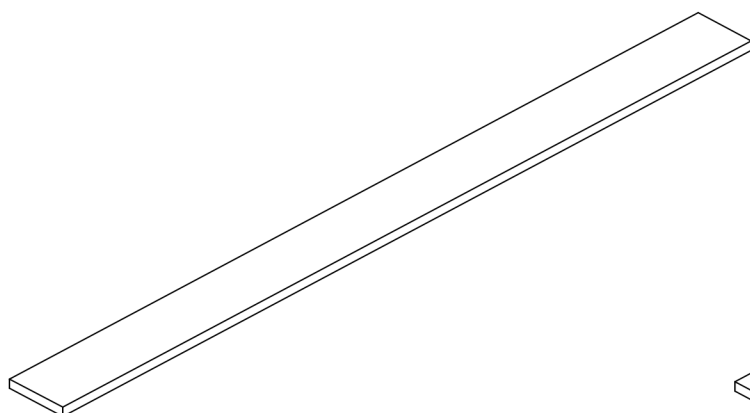
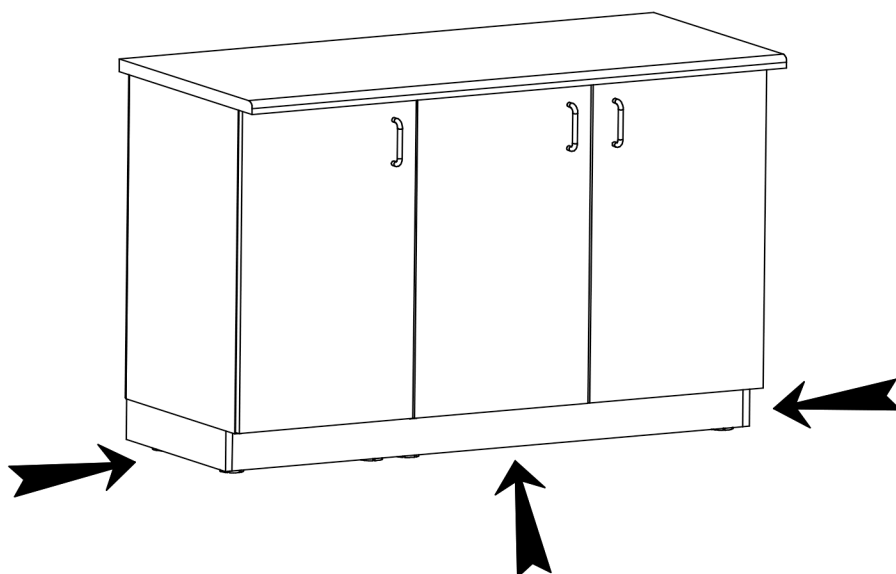


# 7



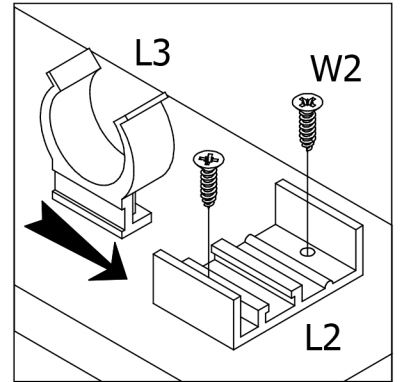
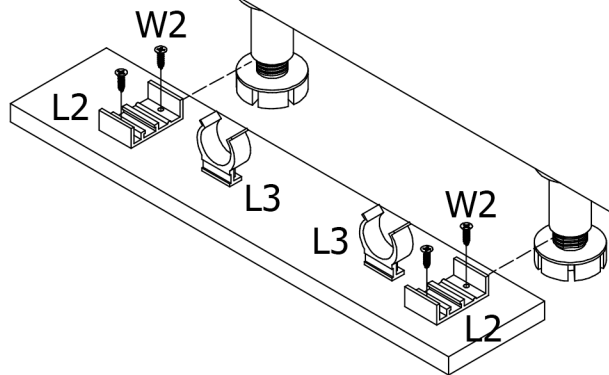
# 8





Ø3,5x16

# 9



# 10

